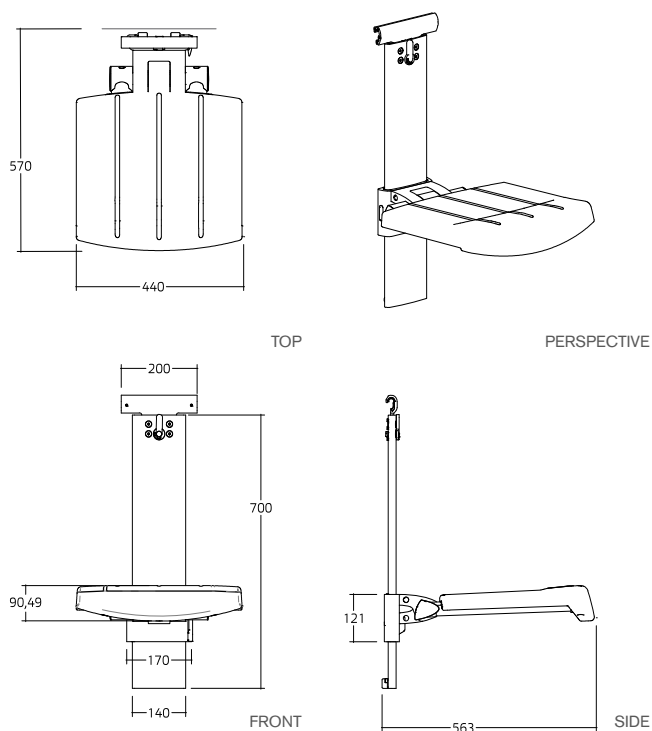


TECHNICAL DATA SHEET

31-141-*-A/C

Shower seat for horizontal track
height and sideways adjustable



PRODUCT DATA:

Item code:	31-141-*-A, 31-141-*-C
Item Description:	Shower seat for horizontal track, height and sideways adjustable.
Length:	NA
Dimensions:	NA
Includes:	NA
Type:	NA
Flexibility:	Removable, Height and sideways adjustable.
Adjustability:	Manually adjustable.
Materials:	Aluminium, Stainless steel, ABS, Nylon, XL EXTRALIGHT®
Finish:	Anodized, Similar stainless steel.
Colour:	*White; red; blue; black; dark grey.
Max loading weight:	NA
Max user weight:	150 kg - 330 lbs/1 m
Country of Origin:	Italy.

BACK

BLACK Colour code 30	WHITE Colour code 00	RED Colour code 10	BLUE Colour code 20	DARK GREY Colour code 35	ANODIZED STAINLESS STEEL Colour code -A	SIMILAR STAINLESS STEEL Colour code -C
-----------------------------------	-----------------------------------	---------------------------------	----------------------------------	---------------------------------------	---	--

